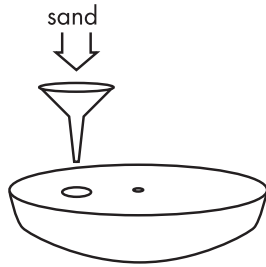


1



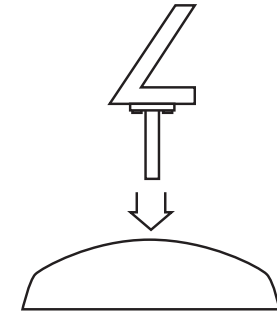
Fill base with dry sand.

2



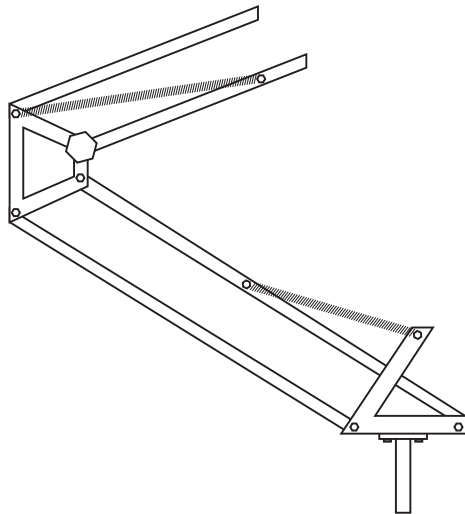
Attach bottom stem to plate using 2 screws and allen key (provided).

3



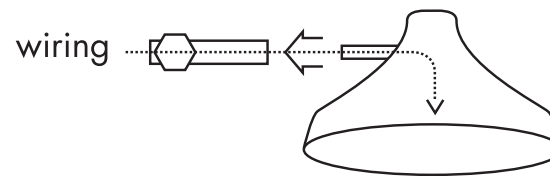
Slot arm section into base.

4



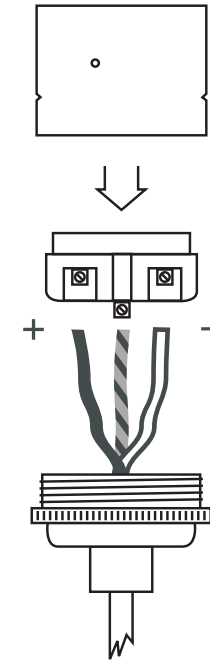
Attach springs taking care that loops fit properly into slots.

5



Fit shade stem into square section and screw in knob for shade adjustment (at top of arm) feeding cable through as you do this.

6



Connect wire to light fitting - the striped wire will be the earth. Tighten up earth screw and black cable grip with screwdriver.

Max Lamp Assembly Instructions

